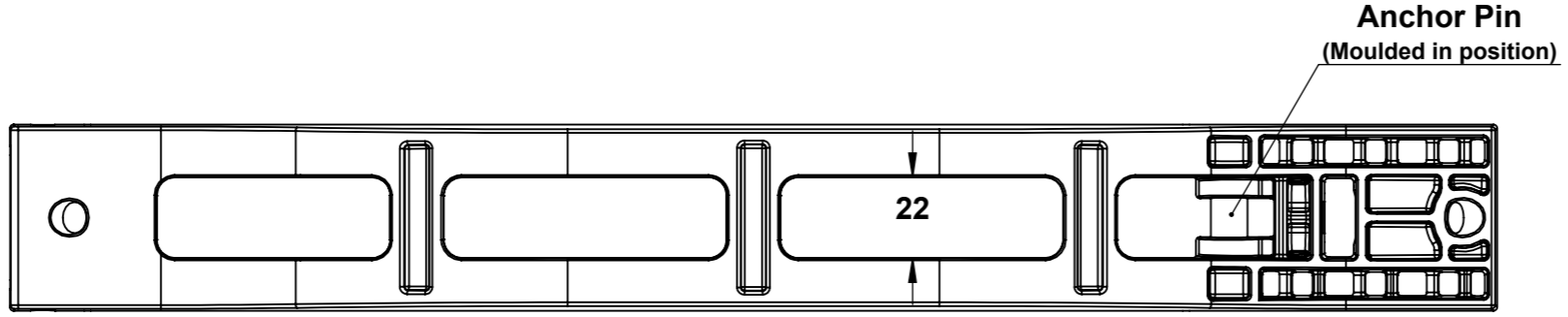
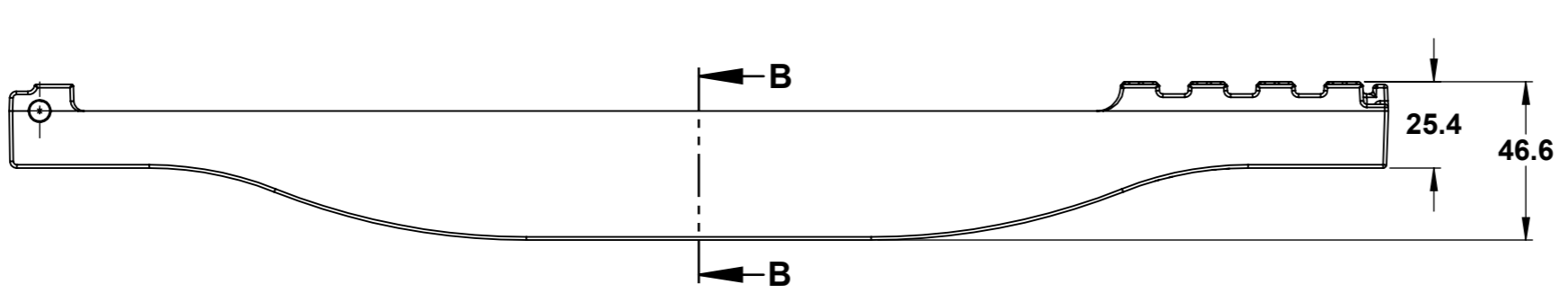
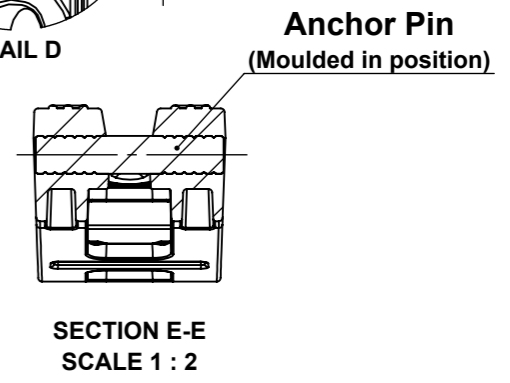
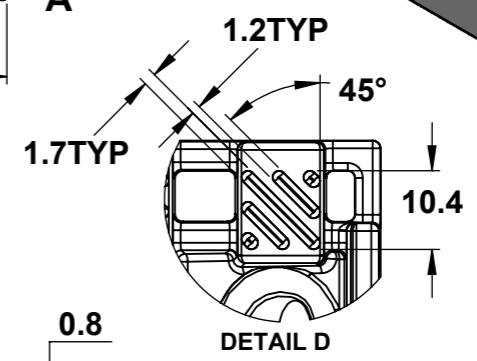
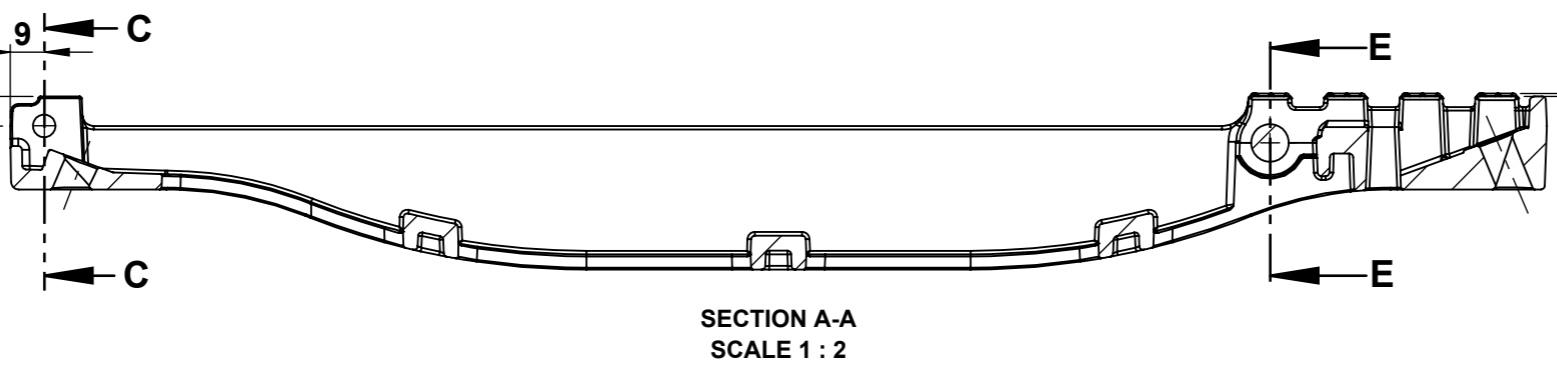
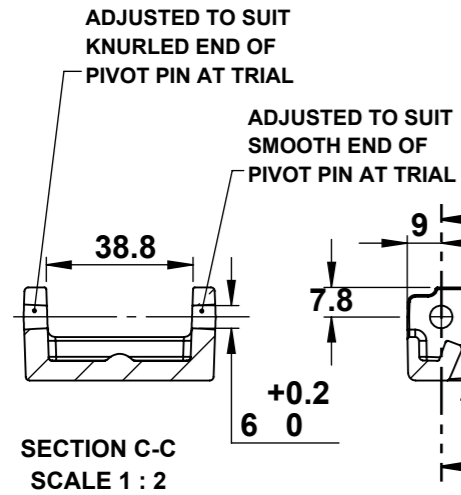
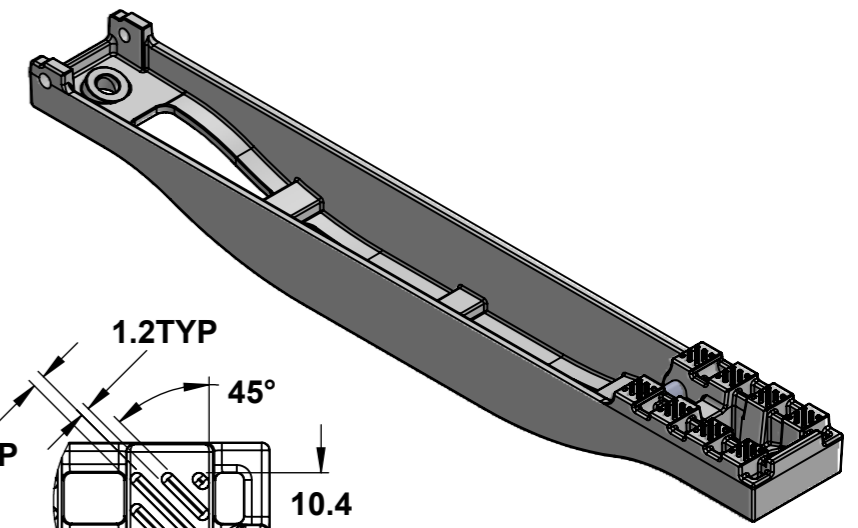
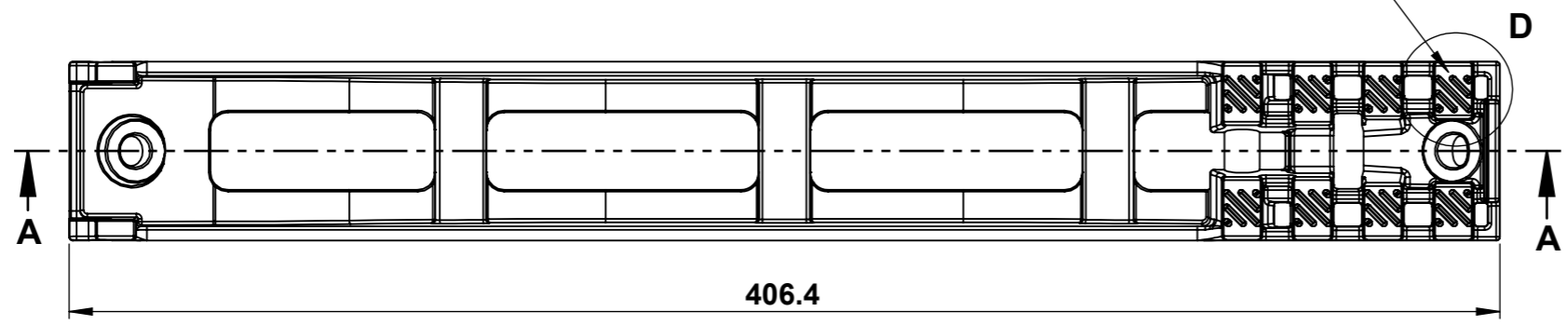



REVISIONS		
ISSUE	DATE	DESCRIPTION
A	24/10/2022	Initial release.
B	30/03/2023	Adjusted mounting bosses added strengthening ribs

TEXTURE PATTERN ON ALL BARS



VOLUME: 173 cc		ISSUED FOR: <input type="checkbox"/> REFERENCE <input type="checkbox"/> PRODUCTION <input checked="" type="checkbox"/> QUOTATION ONLY <input type="checkbox"/> CLIENT APPROVAL <input type="checkbox"/> PROTOTYPE <input type="checkbox"/> PRELIMINARY TOOLING
MATERIAL: PVC		
FINISH:	COLOUR:	DESCRIPTION: DPAS-16 Lane Rope Base
FILE NO: DPAS 16-03-Lane Rope Cover-06-Base		
DRAWN: GK DATE: 30 MAR 2023 CHECKED: M TURNER APPROVED: R LAWSON CLIENT: R.LAWSON		SCALE 1:1 SHEET 1 OF 1 A3

- NOTES:**
- SEE 3D FILE FOR MORE DETAILS
 - PROVIDE MINIMUM DRAFT ANGLES WHERE REQUIRED
 - APPROXIMATE WEIGHT BASED ON PVC DENSITY OF 1.4g/cc IS 242.2g

COPYRIGHT:
 THIS DOCUMENT IS THE PROPERTY OF DALDORADO PTY. LTD. AND IS PROVIDED ON AN IN-CONFIDENCE BASIS. IT MAY NOT BE COPIED OR REPRODUCED WITHOUT THE PRIOR PERMISSION OF DALDORADO OR IT'S AUTHORISED AGENT.
 ALL DIMENSIONS IN mm UNLESS STATED OTHERWISE

TOLERANCE UNLESS SPECIFIED (Injection Moulding)

0 to 10mm	±0.20
11 to 25mm	±0.3
26 to 50mm	±0.4
51 to 120mm	±0.6
121 to 250mm	±1.0
251 to 400mm	±1.3
401 to 500mm	±1.6
501mm AND OVER	±0.35%
ANGULAR	±0°30'

